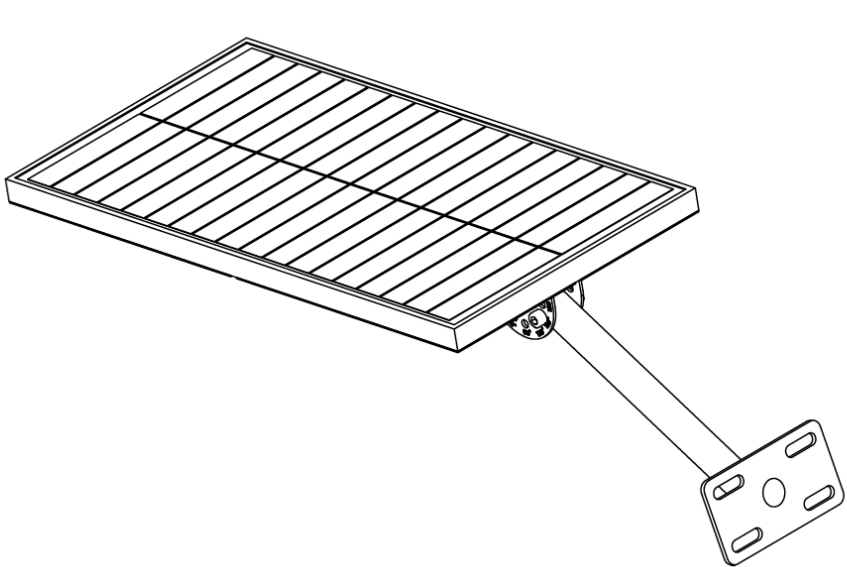


# **GFS-32-EXP**

## **32W SOLAR EXPANSION PANEL**

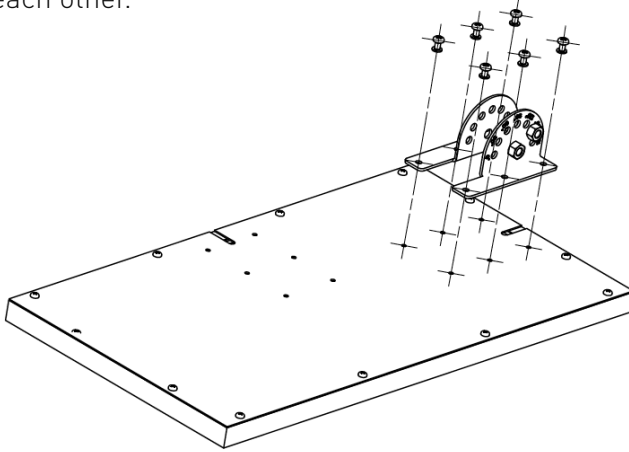


## **INSTALLATION GUIDE**

# INSTALLATION

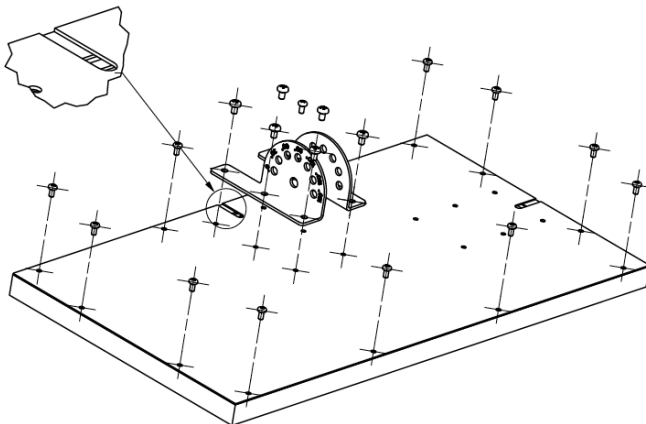
## 1 PORTRAIT ORIENTATION (DEFAULT) PRE-WIRED CONFIGURATION

Attach the tilt bracket to the solar panel frame with 6 x M6 bolts, flat washers, and spring washers. Ensure the tilt brackets are facing towards each other.

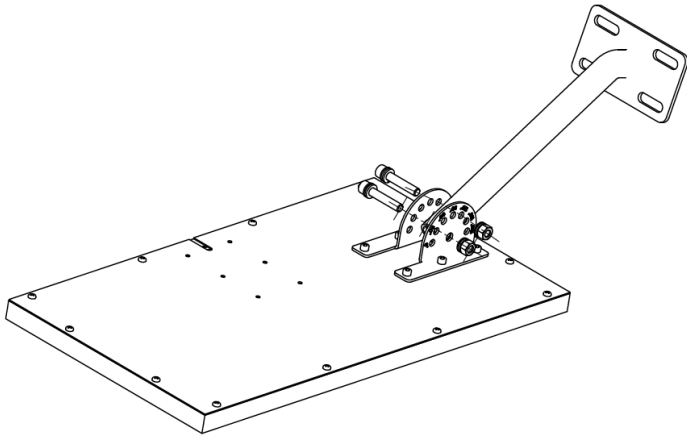


## LANDSCAPE ORIENTATION REQUIRES CABLE RE-LOCATION

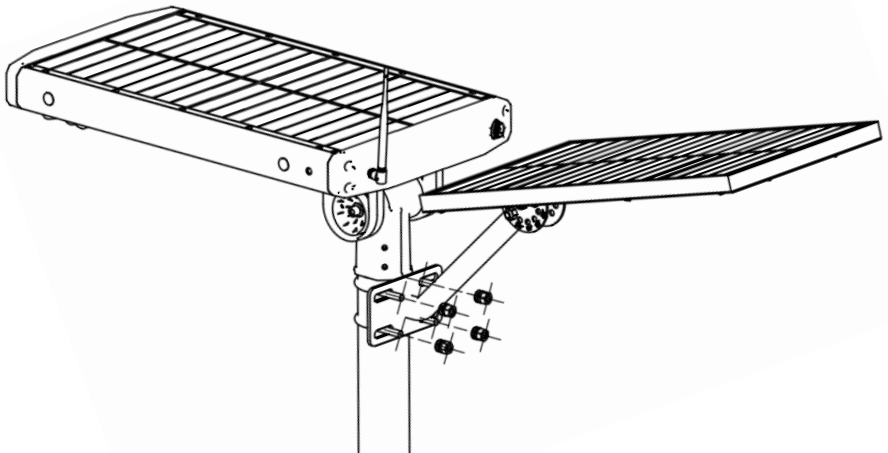
For landscape orientation remove outer screws connecting base plate to solar panel frame. Feed solar wire through slot in landscape position. Re-attach base plate to solar panel frame with outer screws.



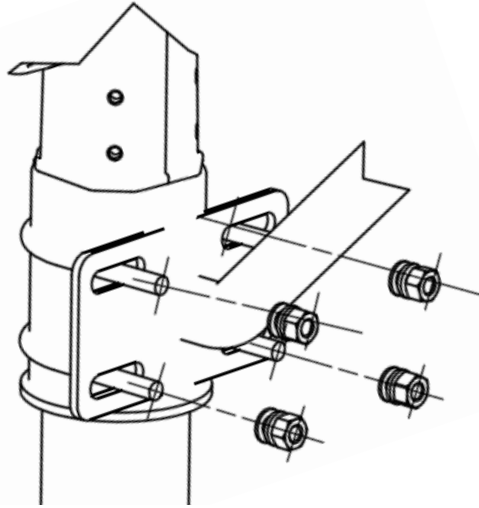
- 2** Attach mounting arm to tilt brackets with 2 x M10 bolts, nuts, flat washers and spring washers. Set mounting arm to desired tilt angle.



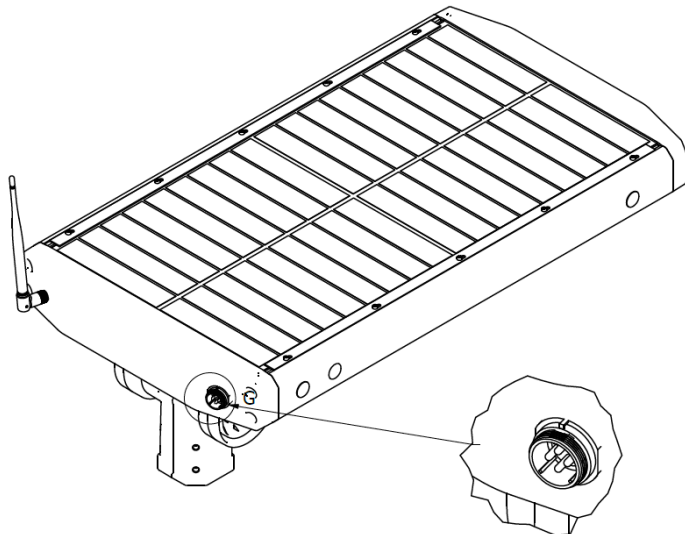
- 3** Mount external solar panel to pole using 2 x U-bolts. Rotate the panel around the pole's axis to the desired position.



**NOTE:** If using 76 - 60mm spigot adaptor, use a 90mm U-bolt and install the external solar panel over the adaptor.



- 4** Connect the solar cable to the Solar /DC port (Defender-55) or compatible DC power input. Ensure the plug is correctly inserted and fully tightened.



# USER GUIDE

1. Position the solar panel to an optimum angle and face the panel as close to **NORTH** (southern hemisphere) / **SOUTH** (northern hemisphere) as possible. **NOTE:** the solar panel can be adjusted 180° to achieve optimal sun exposure.
2. — **DO NOT** install solar panel under the luminaire / shading or any form of artificial light. The artificial light will trigger the solar panel and turn off the luminaire.
3. The solar cable can be cable tied to the mounting arm and pole to neaten the wiring.

## TEST PROCEDURE

How do I know if my GFS-32-EXP expansion panel is working properly?

→ **Follow this two step procedure to ensure effective operation.**

1. Completely cover the solar panel of the light fixture (leave expansion panel uncovered) **NOTE: all light must be completely blocked** for this test to be effective.

Wait one minute and ensure the light has not activated.

2. Completely cover the GFS-32-EXP expansion panel (as well as light fixture) ensuring all light is completely blocked from reaching either solar panel.

In around one minute the luminaire should turn **ON** signalling that the GFS-32-EXP solar panel is correctly installed and working properly.



**GREEN FROG SYSTEMS**  
SOLAR LIGHTING INNOVATION

HEAD OFFICE  
AUSTRALIA / OCEANIA

**+61 (08) 7200 3909**  
[support@greenfrogsystems.com.au](mailto:support@greenfrogsystems.com.au)

USA / THE AMERICAS

**+1 (214) 838-7010**  
[support@greenfrogsystems.com](mailto:support@greenfrogsystems.com)

GFS-32-EXP-IM-1220